

P&L Systems Ltd offer Excalibur Commercial as a professional electronic insect control unit, ideal for the pest control market.

PEST CONTROL EQUIPMENT

Excalibur Commercial is the modern answer to flying insect control where hygiene is an important consideration. Excalibur Commercial can be wall mounted, ceiling suspended or free standing.

The instructions given here are intended to help you operate your Excalibur Commercial at maximum efficiency.

WARNING

EXCALIBUR COMMERCIAL MUST ONLY BE USED IN AREAS WHICH ARE FREE OF DUST AND ANY POSSIBLE EXPLOSIVE VAPOUR MIXTURE. SHOULD YOU HAVE ANY QUERIES CONTACT YOUR LOCAL FIRE AUTHORITY FOR ADVICE BEFORE INSTALLATION.

EXCALIBUR COMMERCIAL IS ONLY SUITABLE FOR INDOOR USE AND IS NOT SUITABLE FOR USE IN BARNs, STABLES AND SIMILAR LOCATIONS.

INSTALLATION

Your Excalibur Commercial unit requires certain conditions to ensure the effective control of flying insects in your premises:

1. It must be correctly sited.
2. It must be the correct model for the area to be protected.
3. It must be in operation for 24 hours a day.
4. Tubes must be replaced every 12 months.

IF IN ANY DOUBT ABOUT INSTALLATION, USE A QUALIFIED ELECTRICIAN TO FIT THE UNIT.

POWER REQUIREMENTS

Excalibur Commercial units are designed to operate from the following power supply:

230V ~ 50Hz

Therefore, please ensure that your unit is compatible with the electricity supply in your premises. Make sure the unit is connected to an earthed electrical supply via a socket outlet of compatible rating.

SITING

Your Excalibur Commercial unit should ideally be fixed at least two metres above the ground, preferably in the darkest place within the area to be protected, away from windows and skylights, thus avoiding any competition with natural daylight or sunlight.

In large open areas where two or more units are required, siting needs careful consideration to ensure maximum protection. Each unit within a certain area should be centrally positioned.

Remember too that light travels in straight lines so any barriers, ie suspended canopies or any other large objects may make it necessary to install a greater number of units in order to achieve optimum effectiveness. As a general rule, the UV light from the Excalibur Commercial unit should be visible from every part of the room.

Applications of Excalibur Commercial obviously vary depending on the location. Should any queries arise on siting, etc. please contact your supplier.

SERVICING

BEFORE ANY FORM OF SERVICING, ENSURE THAT THE UNIT IS DISCONNECTED FROM THE MAINS SUPPLY.

To maintain the units efficiency, replace the UV fluorescent tubes every 9 to 12 months, making sure the replacement tubes are of the correct type - obtainable from the supplier or P&L Systems Ltd.

IF ANY DOUBTS ARISE REGARDING THESE INSTRUCTIONS, PLEASE CONTACT YOUR SUPPLIER OR P&L SYSTEMS LTD.

GUARANTEE

Your Excalibur Commercial unit is guaranteed for three years (excluding tubes.) If a fault occurs within twelve months P&L Systems Ltd will replace your unit. If a fault occurs between twelve and sixty months, P&L Systems Ltd will either replace or repair the unit, at their discretion, provided the unit is returned.

This guarantee only applies if genuine P&L Systems Ltd spare parts are used.

N.B. TUBES ARE NOT GUARANTEED

MAINTENANCE

BEFORE ANY FORM OF MAINTENANCE, ALWAYS ENSURE THAT THE UNIT IS DISCONNECTED FROM THE MAINS SUPPLY.

CLEANING - Cleaning should be done at regular intervals, depending upon the environment in which the unit operates. This is normally every month.

First remove the tray and dispose of the insect bodies. Then clean with a damp cloth.

Remove the front tube (1), then disconnect the killing grid by pulling downwards. (2)

To replace, simply carry out the above procedure in reverse, being careful to locate the two killing grid pins correctly into the chassis of the unit.

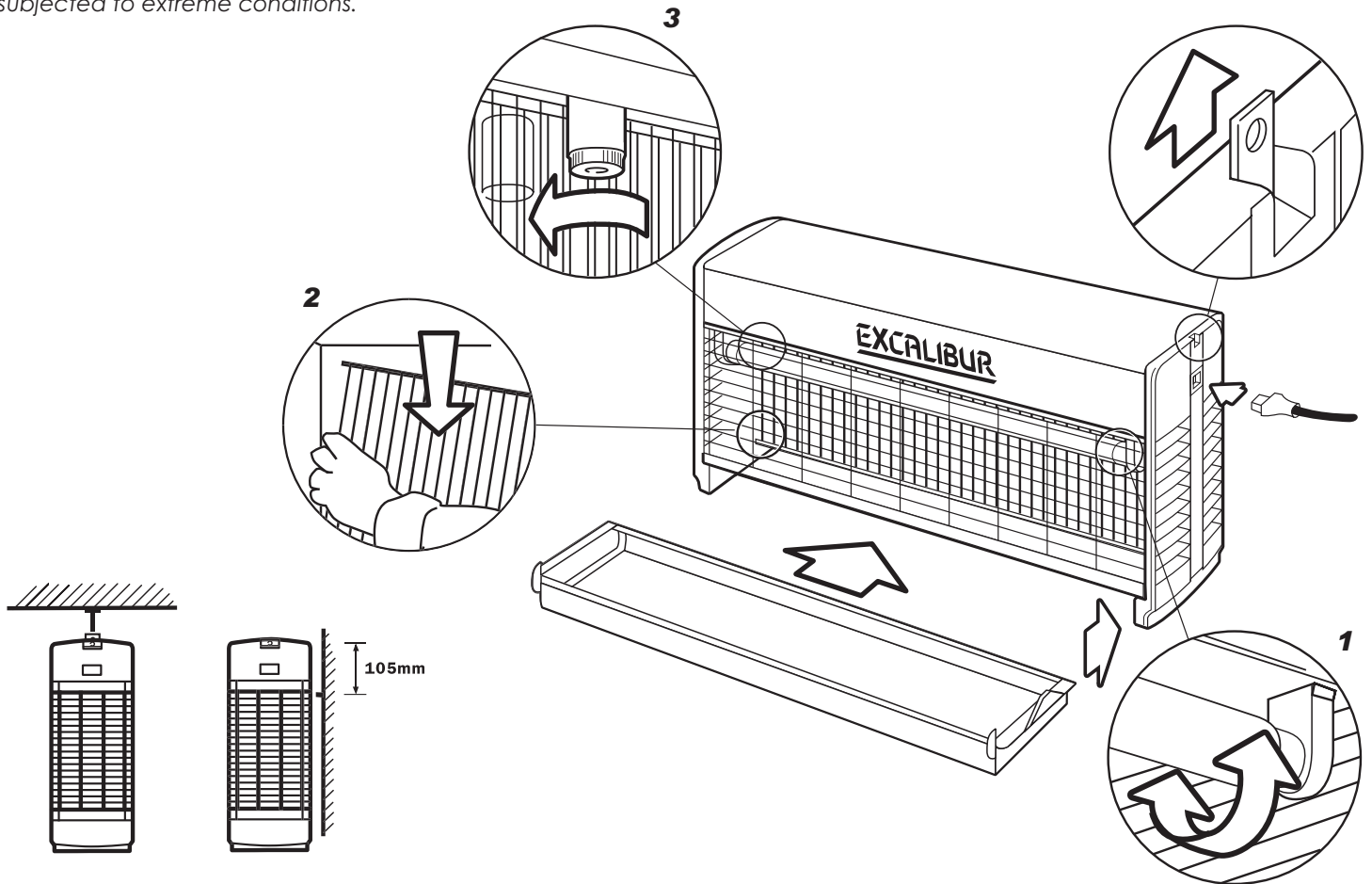
The exterior of the unit should be cleaned with a damp cloth, removing the normal dirt and grease found in most operating conditions. All metal used in the construction is non-corrosive powder coated mild steel and therefore should remain in good condition for many years, if not subjected to extreme conditions.

TUBE REPLACEMENT - BEFORE REPLACING THE TUBE, ALWAYS ENSURE THAT THE UNIT IS DISCONNECTED FROM THE MAINS SUPPLY.

THE POWER SUPPLY IS ISOLATED BY A SAFETY SWITCH WHEN THE TRAY IS REMOVED.

Remove the tray and slide down the front grill. Twist the used tube through 45 degrees, (1) gently pulling down on the used tube, releasing it from the unit. Replace the tube and reassemble the unit by repeating the steps in the reverse order.

STARTER REPLACEMENT - The starter should be replaced at the same time as the tube. Simply twist the starter until it comes loose from the unit and replace. (3)



MOUNTING FIXING CENTRES

DESCRIPTION	EXC30
CEILING SUSPENSION	506mm
WALL MOUNTING CENTRES	438mm

SPARE PARTS

DESCRIPTION	EXC30
TUBE	2 x 1616
STARTER	2 x 1154

Brighter Hygiene Solutions...

P&L SYSTEMS LTD
 19 Halfpenny Lane
 Knaresborough
 North Yorkshire
 HG5 0PS
 UK

T - +44 (0)1423 861226
 F - +44 (0)1423 863497
 E - info@pandl.co.uk
 W - www.pandlsystems.com



INVESTOR IN PEOPLE

